

# Product Specifications

## 1. Product Overview

- 1.1 Product Name: GYHCSM M2 Servo Motor
- 1.2 Product Model: M2H060-24D40B30C-PC1B1
- 1.3 Product Description:

The GYHCSM M2 series servo motor is designed for high-precision industrial applications. It features compact size, high response, and high accuracy, and is widely used in industries such as lasers, printing, and semiconductors.

- Rated power 400W, Rated Torque 1.27N.m.
- 3 times torque overload capacity, with a maximum speed of 3200 rpm
- Build-in multi-turn 23bit absolute encoder
- Operating temperature: -20°C to +65°C
- IP65 Protection

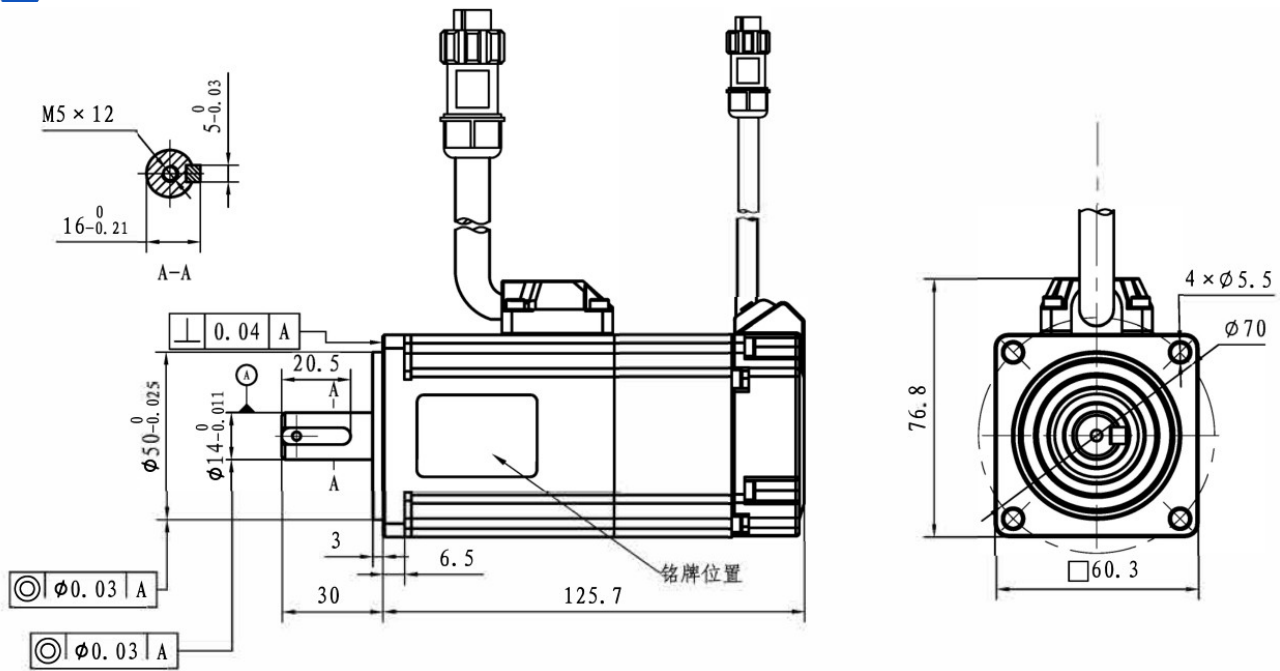
## 2. Technical Parameters

### 2.1 Parameter Table

Parameters		Model
Parameter	Units	M2H060-24D40B30C-PC1B1
Flange Size	mm	60
Rated Power	W	400
Rated Voltage	V	24
Rated Speed	rpm	3000
Max. Speed	rpm	3200
Rated Torque	N·m	1.27
Peak Torque	N·m	3.81
Rated Current	A	20
Peak Current	A	60
Rotor Inertia	10 <sup>-4</sup> Kg·m <sup>2</sup>	0.53
Pole-pairs	5 pole-pairs	
Insulation Class	Class F	
Protect Grade	IP65	
Feedback Encoder	Multi-turn 23bit absolute	
Brake	With Brake, DC24v	
Max. Operating Altitude	2000m	
Operating Conditions	Temperature: -20°C~+65°C; Humidity: ≤90%RH (no frost)	
Storage Conditions	Temperature: -30°C~+75°C ; Humidity: ≤90%RH (no frost)	
Remarks		

## 3. Overall Dimensions

### 3.1 Dimension Drawing



3.2 Appearance Photos



Repunite