

# Product Specification

## 1. Product Overview

- 1.1 Product Name: Integrated Hollow Cycloidal Joint Module
- 1.2 Product Model: RU-JTM-80-020-30-60-D48-H15
- 1.3 Product Description:

The Integrated Joint Module is a highly integrated actuator that incorporates a frameless torque motor, reducer, encoder, and servo driver. It is widely used in high-dynamic scenarios such as robotic arms, humanoid robots, and multi-legged robots.

- Rated Power:200W
- Multiple Control Modes: Position / Speed / Torque Control
- Comprehensive Protection Mechanisms

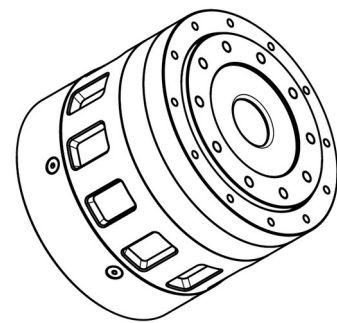
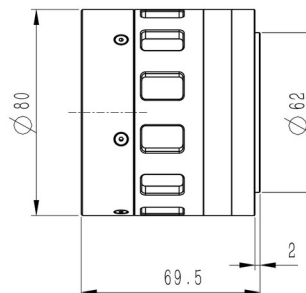
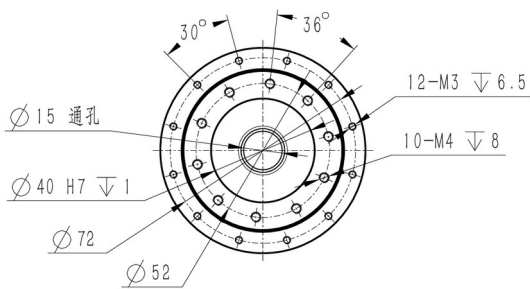
## 2. Technical Specifications

### 2.1 Parameter Table

Item	Parameter	
Parameter	Rated Voltage	DC 48v
	Rated Power	200W
	Peak Power	
	Rated Speed	30rpm
	Maximum Speed	
	Rated Torque	60N.m
	Peak Torque	180N.m
	Rated Current	5.1A
	Peak Current	15.6A
	Gear Ratio	1:100
	Reducer Backlash	< 7 arcmin
	Encoder	Absolute Dual-Encoder 24bit/24bit
	Communication Protocol	CAN2.0
	Weight	1.1kg
Operating Temperature	-20°~65°	

## 3. Dimensions and Appearance

### 3.1 Dimension Drawing



### 3.2 Appearance Drawing