

Product Specification

1. Product Overview

- 1.1 Product Name: Integrated Cycloidal Joint Module
- 1.2 Product Model: RU-JTM-60-014-50-27-D48-CY
- 1.3 Product Description:

The Integrated Joint Module is a highly integrated actuator that incorporates a frameless torque motor, reducer, encoder, and servo driver. It is widely used in high-dynamic scenarios such as robotic arms, humanoid robots, and multi-legged robots.

- Rated Power:140W
- Multiple Control Modes: Position / Speed / Torque Control
- Comprehensive Protection Mechanisms
- Built-in cycloidal reducer with strong impact resistance and a service life exceeding 20,000 hours

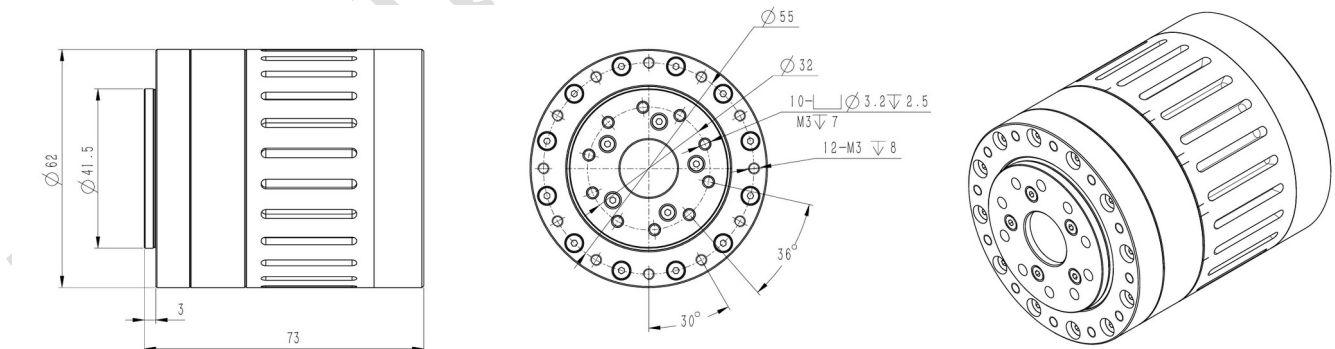
2. Technical Specifications

2.1 Parameter Table

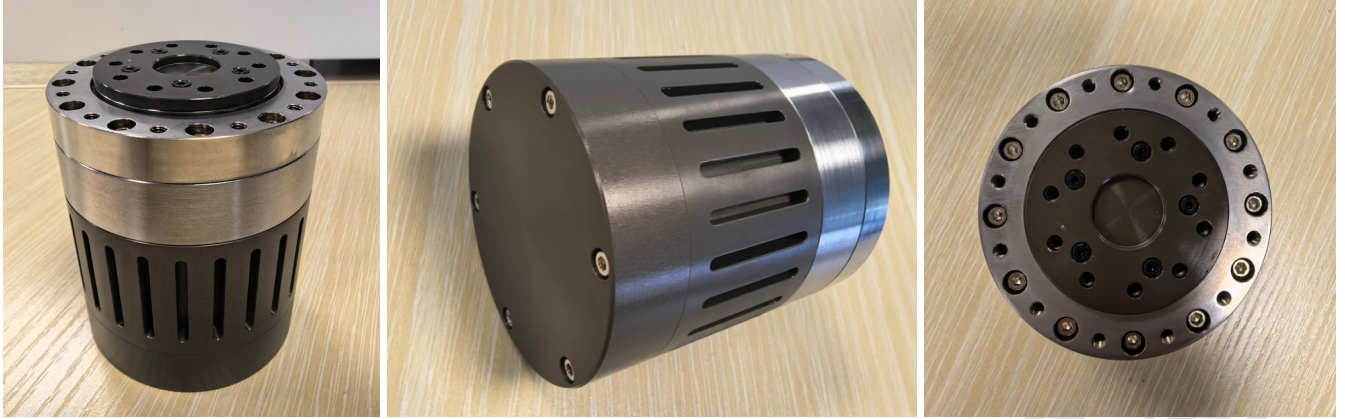
Item	Parameter	
Parameter	Rated Voltage	DC 48v
	Rated Power	140W
	Peak Power	
	Rated Speed	50rpm
	Maximum Speed	
	Rated Torque	27N.m
	Peak Torque	81N.m
	Rated Current	4A
	Peak Current	12A
	Gear Ratio	1:60
	Reducer Backlash	< 3 arcmin
	Encoder	Absolute Dual-Encoder 24bit/24bit
	Communication Protocol	CAN2.0
	Weight	0.9kg
	Operating Temperature	-20°~65°

3. Dimensions and Appearance

3.1 Dimension Drawing



3.2 Appearance Drawing



Repunite Technology