

Product Specification

1. Product Overview

- 1.1 Product Name: Integrated Hollow Harmonic Joint Module
- 1.2 Product Model: RU-JTM-100-040-30-100-D48-H26
- 1.3 Product Description:

The Integrated Joint Module is a highly integrated actuator that incorporates a frameless torque motor, reducer, encoder, and servo driver. It is widely used in high-dynamic scenarios such as robotic arms, humanoid robots, and multi-legged robots.

- Rated Power:400W
- Multiple Control Modes: Position / Speed / Torque Control
- Comprehensive Protection Mechanisms
- Large hollow structure for easy cable routing or slip-ring installation
- Built-in harmonic reducer

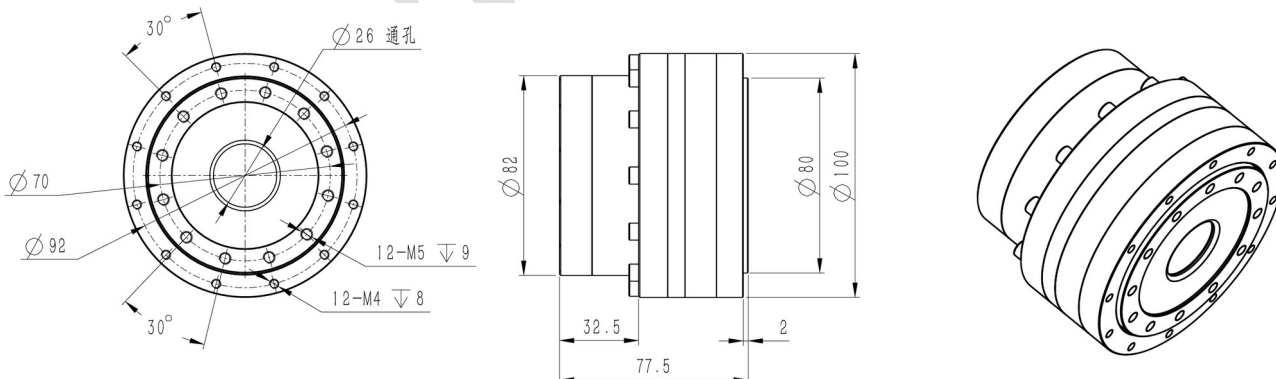
2. Technical Specifications

2.1 Parameter Table

Item	Parameter	
Parameter	Rated Voltage	DC 48v
	Rated Power	400W
	Peak Power	
	Rated Speed	30rpm
	Maximum Speed	
	Rated Torque	100N.m
	Peak Torque	300N.m
	Rated Current	10A
	Peak Current	31.5A
	Gear Ratio	1:100
	Reducer Backlash	< 9 arcmin
	Encoder	Absolute Dual-Encoder 24bit/24bit
	Communication Protocol	CAN
	Weight	1.9kg
	Operating Temperature	-20°~65°

3. Dimensions and Appearance

3.1 Dimension Drawing



3.2 Appearance Drawing