

Product Specifications

1. Product Overview

- 1.1 Product Name: JGSM Servo Motor
- 1.2 Product Model: JGSM-80C100-30A38B-IP67H-RU
- 1.3 Product Description:

The JGSM series servo motors are designed for harsh environment scenarios such low temperature, high altitude, strong vibration and shock force. They are using permanent magnet materials and resolvers as feedback devices. These motors feature high overload capacity, as well as high resistance to vibration and shock.

- Rated power 1KW, Rated Torque 3.18N.m.
- 3 times torque overload capacity, with a maximum speed of 5100 rpm
- Resolver as feedback device, high reliability
- Operating temperature: -40°C to +85°C
- IP67 Protection

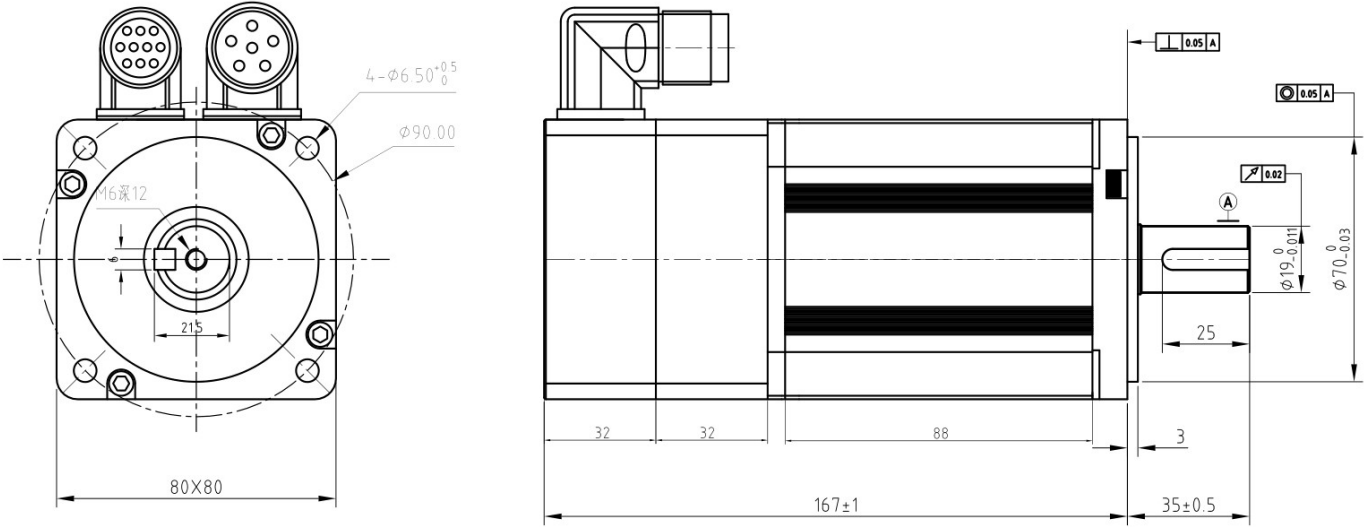
2. Technical Parameters

2.1 Parameter Table

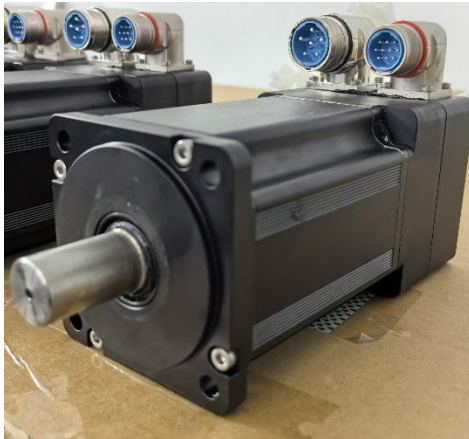
Parameters		Model
Parameter	Units	JGSM-80C100-30A38B-IP67H-RU
Flange Size	mm	80
Rated Power	W	1000
Rated Voltage	V	380
Rated Speed	rpm	3000
Max. Speed	rpm	5100
Rated Torque	N·m	3.18
Peak Torque	N·m	9.54
Rated Current	A	2.72
Peak Current	A	8.16
Rotor Inertia	10 ⁻⁴ Kg·m ²	2.16
Pole-pairs		5 pole-pairs
Insulation Class		Class F
Protect Grade		IP67
Feedback Encoder		Resolver
Brake		With Brake, DC24v
Max. Operating Altitude		6000m, capacity reduction required above 2000 m
Operating Conditions		Temperature: -40°C~+85°C; Humidity: ≤90%RH (no frost)
Storage Conditions		Temperature: -50°C~+85°C ; Humidity: ≤90%RH (no frost)
Remarks		

3. Overall Dimensions

3.1 Dimension Drawing



3.2 Appearance Photos



Repunite